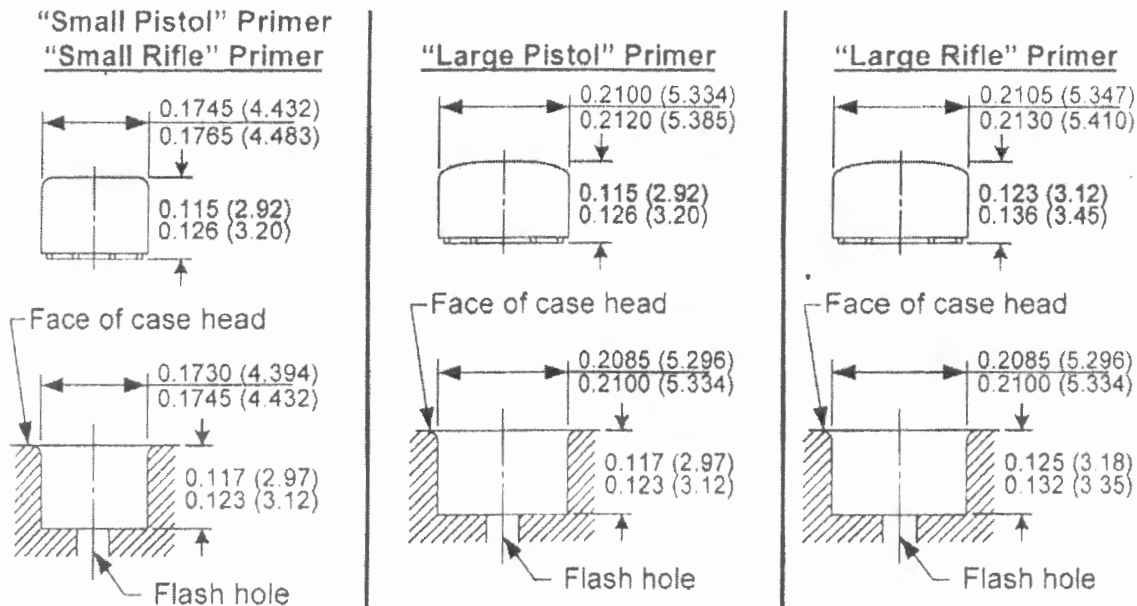


## PRIMERS AND PRIMER POCKETS

CUP MAY BE ROUNDED OR FLAT



PRIMERS TO BE SEATED FLUSH TO 0.008" (0.20)  
BELOW FACE OF CARTRIDGE CASE HEAD

**NOTE**

(XX.XX) = MILLIMETERS